

Model: NJ2319ECP

Basic size of
 mm

d:	95
D:	200
B:	67

The basic rated load is
 kN

trends C:	530
static state Co:	585
Fatigue load limit Pu:	69.5

Rated rotation speed is
 r/min

Refer to the speed:	3600
limit speed:	4300
Specification standard holder:	9.85

model

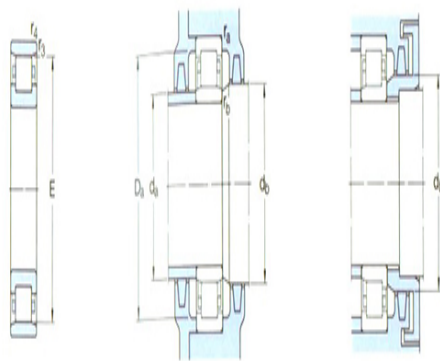
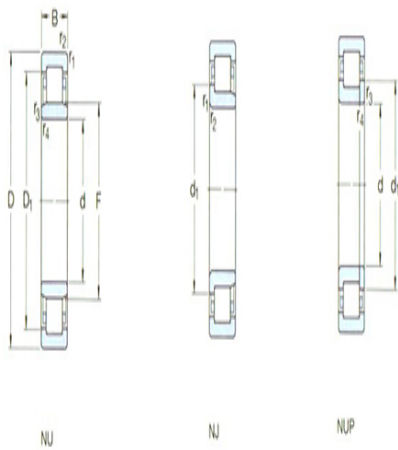
Standard holder:	*NJ2319ECP
Other holder 1):	J,ML

Dimensions are
 mm

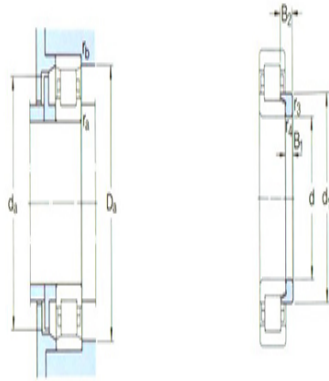
d:	95
d ₁ ~ :	132
D1 ~ :	170
F,E:	121.5
r _{1,2} the min:	3
r _{3,4} the min:	3
s ¹⁾ :	6.9

Shoulder gear and chamfer size
 mm

d _a the min:	109
d _a the max:	118
d _b ,Da the min:	135
Da the max:	186



N



角鋼

r_a the max: 2.5

r_b the max: 2.5

Calculation coefficient

kr: 0.25

Corner circle

model: HJ2319EC

quality: 0.81

Size B1: 13

Size B2: 24.5