

Model: NU419M

Basic size of
 mm

d:	95
D:	240
B:	55

The basic rated load is
 kN

trends C:	413
static state Co:	455
Fatigue load limit Pu:	52

Rated rotation speed is
 r/min

Refer to the speed:	3200
limit speed:	3600
Specification standard holder:	13.5

model

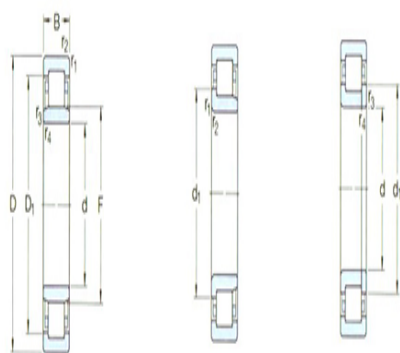
Standard holder:	NU419 M
Other holder 1):	-

Dimensions are
 mm

d:	95
d ₁ ~ :	-
D1 ~ :	186
F,E:	133.5
r _{1,2} the min:	4
r _{3,4} the min:	4
s ¹⁾ :	5

Shoulder gear and chamfer size
 mm

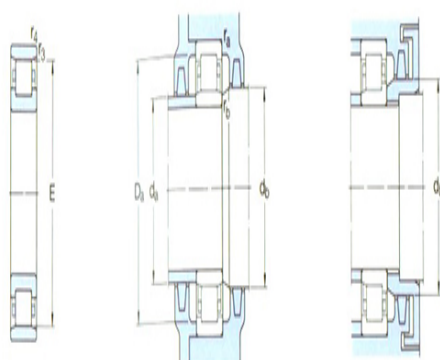
d _a the min:	115
d _a the max:	130
d _b ,D _a the min:	136
D _a the max:	220



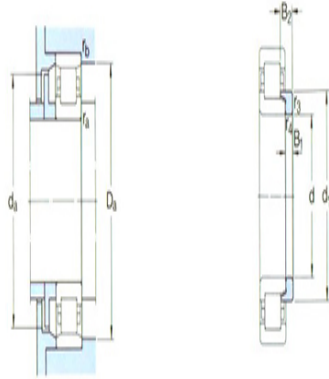
NU

N

NUP



N



角鋼

r_a the max: 3

r_b the max: 3

Calculation coefficient

kr: 0.15

Corner circle

model: -

quality: -

Size B1: -

Size B2: -