



## Model: NU220ECP

Basic size of  
mm

d:	100
D:	180
B:	34

The basic rated load is  
kN

trends C:	285
static state Co:	305
Fatigue load limit Pu:	36.5

Rated rotation speed is  
r/min

Refer to the speed:	4000
limit speed:	4500
Specification standard holder:	3.45

model

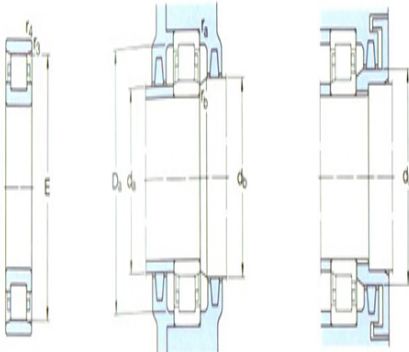
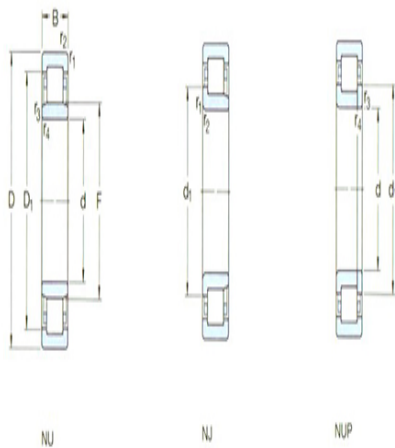
Standard holder:	*NU220EC P
Other holder 1):	J,M,ML

Dimensions are  
mm

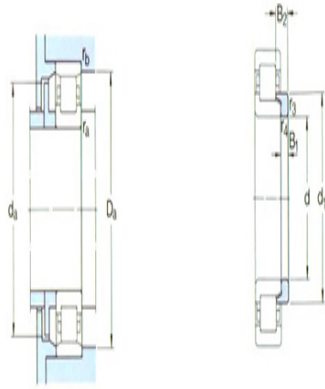
d:	100
d <sub>1</sub> ~ :	127
D1 ~ :	157
F,E:	119
r <sub>1,2</sub> the min:	2.1
r <sub>3,4</sub> the min:	2.1
s <sup>1)</sup> :	1.7

Shoulder gear and chamfer size  
mm

d <sub>a</sub> the min:	112
d <sub>a</sub> the max:	116
d <sub>b</sub> ,D <sub>a</sub> the min:	122
D <sub>a</sub> the max:	168



N



$r_a$  the max: 2

$r_b$  the max: 2

Calculation coefficient

kr: 0.15

Corner circle

model: HJ220EC

quality: 0.42

Size B1: 10

Size B2: 15