



## Model: N220ECP

Basic size of  
mm

|    |     |
|----|-----|
| d: | 100 |
| D: | 180 |
| B: | 34  |

The basic rated load is  
kN

|                        |      |
|------------------------|------|
| trends C:              | 285  |
| static state Co:       | 305  |
| Fatigue load limit Pu: | 36.5 |

Rated rotation speed is  
r/min

|                                |      |
|--------------------------------|------|
| Refer to the speed:            | 4000 |
| limit speed:                   | 4500 |
| Specification standard holder: | 3.45 |

model

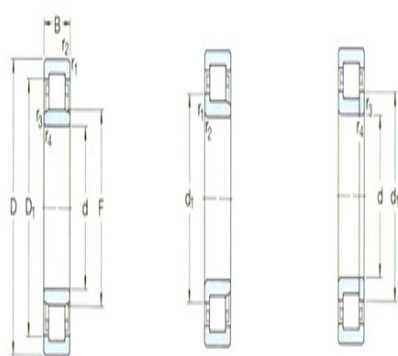
|                  |              |
|------------------|--------------|
| Standard holder: | *N220EC<br>P |
| Other holder 1): | -            |

Dimensions are  
mm

|                           |     |
|---------------------------|-----|
| d:                        | 100 |
| d <sub>1</sub> ~ :        | 127 |
| D1 ~ :                    | -   |
| F,E:                      | 163 |
| r <sub>1,2</sub> the min: | 2.1 |
| r <sub>3,4</sub> the min: | 2.1 |
| s <sup>1)</sup> :         | 1.7 |

Shoulder gear and chamfer size  
mm

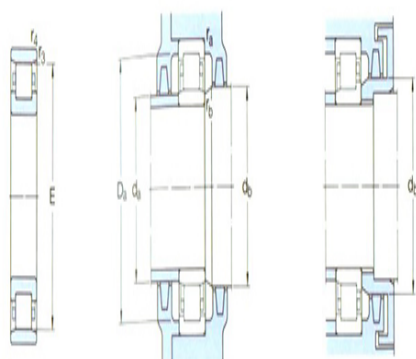
|   |     |
|---|-----|
| d <sub>a</sub> the min:                 | 112 |
| d <sub>a</sub> the max:                 | 160 |
| d <sub>b</sub> ,D <sub>a</sub> the min: | 166 |
| D <sub>a</sub> the max:                 | 168 |



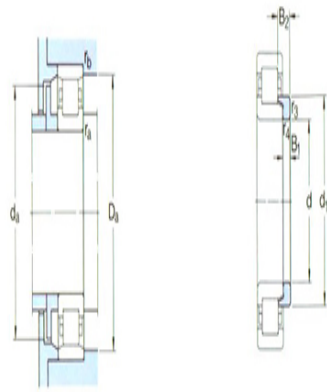
NU

NU

NUP



N



111

$r_a$  the max: 2

$r_b$  the max: 2

Calculation coefficient

kr: 0.15

Corner circle

model: -

quality: -

Size B1: -

Size B2: -