



Model: NUP2220ECP

Basic size of
mm

d:	100
D:	180
B:	46

The basic rated load is
kN

trends C:	380
static state Co:	450
Fatigue load limit Pu:	54

Rated rotation speed is
r/min

Refer to the speed:	4000
limit speed:	4500
Specification standard holder:	4.9

model

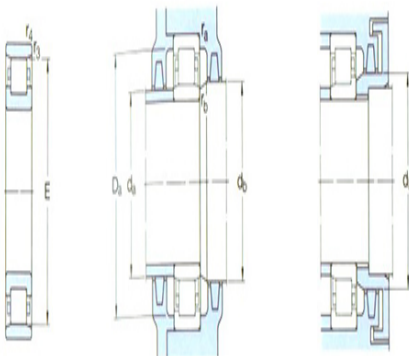
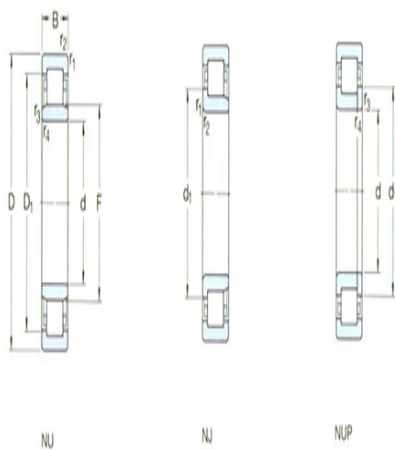
Standard holder:	*NUP2220ECP
Other holder 1):	ML

Dimensions are
mm

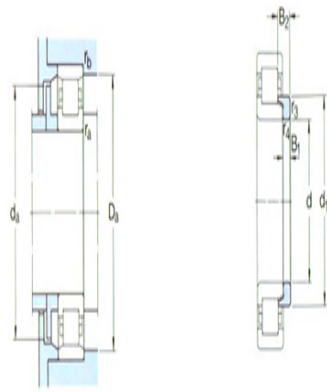
d:	100
d ₁ ~ :	127
D1 ~ :	157
F,E:	119
r _{1,2} the min:	2.1
r _{3,4} the min:	2.1
s ¹⁾ :	-

Shoulder gear and chamfer size
mm

d _a the min:	112
d _a the max:	-
d _b ,D _a the min:	130
D _a the max:	168



N



111

r_a the max: 2

r_b the max: 2

Calculation coefficient

kr: 0.2

Corner circle

model: -

quality: -

Size B1: -

Size B2: -