



Model: N320ECP

Basic size of
mm

d:	100
D:	215
B:	47

The basic rated load is
kN

trends C:	450
static state Co:	440
Fatigue load limit Pu:	51

Rated rotation speed is
r/min

Refer to the speed:	3200
limit speed:	3800
Specification standard holder:	7.55

model

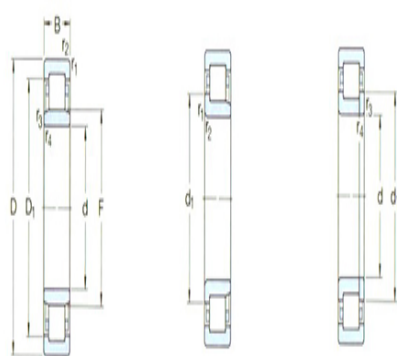
Standard holder:	*N320EC P
Other holder 1):	M

Dimensions are
mm

d:	100
d ₁ ~ :	139
D1 ~ :	-
F,E:	191.5
r _{1,2} the min:	3
r _{3,4} the min:	3
s ¹⁾ :	2.9

Shoulder gear and chamfer size
mm

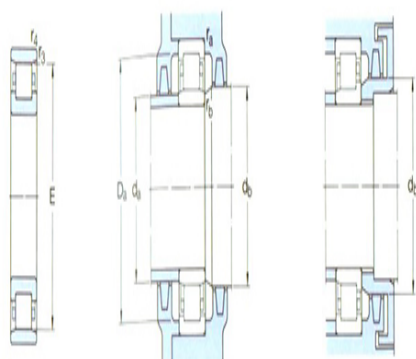
d _a the min:	114
d _a the max:	188
d _b ,Da the min:	195
Da the max:	201



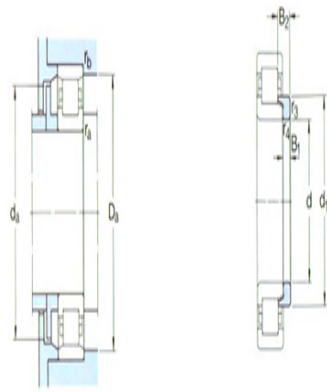
NU

NU

NUP



N



111

r_a the max:	2.5
r_b the max:	2.5

Calculation coefficient

kr:	0.15
-----	------

Corner circle

model:	-
quality:	-
Size B1:	-
Size B2:	-