



## Model: NUP2320ECP

Basic size of  
mm

|    |     |
|----|-----|
| d: | 100 |
| D: | 215 |
| B: | 73  |

The basic rated load is  
kN

|                        |     |
|------------------------|-----|
| trends C:              | 670 |
| static state Co:       | 735 |
| Fatigue load limit Pu: | 85  |

Rated rotation speed is  
r/min

|                                |      |
|--------------------------------|------|
| Refer to the speed:            | 3200 |
| limit speed:                   | 3800 |
| Specification standard holder: | 12.5 |

model

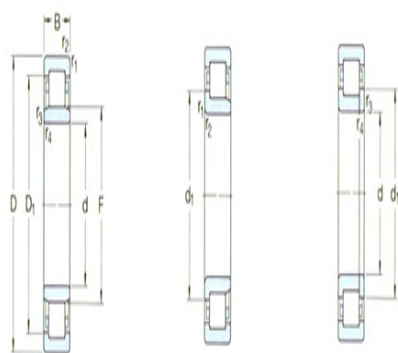
|                  |             |
|------------------|-------------|
| Standard holder: | *NUP2320ECP |
| Other holder 1): | J,ML        |

Dimensions are  
mm

|                           |       |
|---------------------------|-------|
| d:                        | 100   |
| d <sub>1</sub> ~ :        | 139   |
| D1 ~ :                    | 182   |
| F,E:                      | 127.5 |
| r <sub>1,2</sub> the min: | 3     |
| r <sub>3,4</sub> the min: | 3     |
| s <sup>1)</sup> :         | -     |

Shoulder gear and chamfer size  
mm

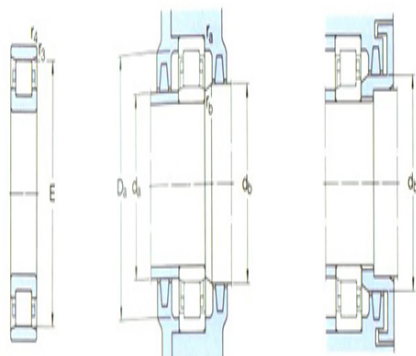
|                             |     |
|-----------------------------|-----|
| d <sub>a</sub> the min:     | 114 |
| d <sub>a</sub> the max:     | -   |
| d <sub>b</sub> ,Da the min: | 142 |
| Da the max:                 | 201 |



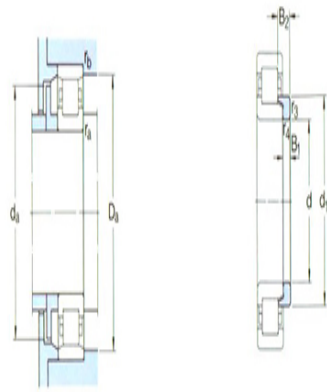
NU

NU

NUP



N



111

$r_a$  the max: 2.5

$r_b$  the max: 2.5

Calculation coefficient

kr: 0.25

Corner circle

model: -

quality: -

Size B1: -

Size B2: -