



Model: NU1021ML

Basic size of
 mm

d:	105
D:	160
B:	26

The basic rated load is
 kN

trends C:	101
static state Co:	137
Fatigue load limit Pu:	16

Rated rotation speed is
 r/min

Refer to the speed:	4800
limit speed:	7500
Specification standard holder:	1.85

model

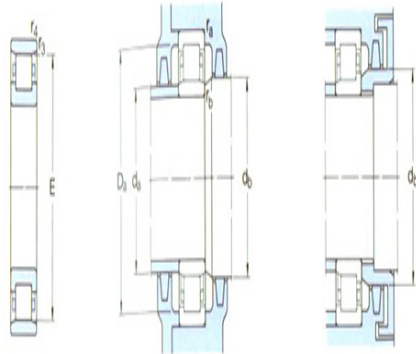
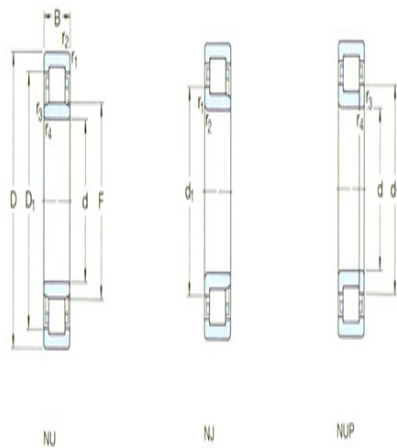
Standard holder:	NU1021M L
Other holder 1):	M

Dimensions are
 mm

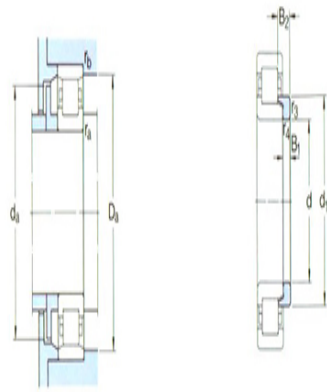
d:	105
d ₁ ~ :	-
D1 ~ :	140
F,E:	119.5
r _{1,2} the min:	2
r _{3,4} the min:	1.1
s ¹⁾ :	3.8

Shoulder gear and chamfer size
 mm

d _a the min:	111
d _a the max:	117
d _b ,Da the min:	122
Da the max:	151



N



111

r_a the max: 2

r_b the max: 1

Calculation coefficient

kr: 0.1

Corner circle

model: -

quality: -

Size B1: -

Size B2: -