



Model: NU2324ECMA

Basic size of
mm

d:	120
D:	260
B:	86

The basic rated load is
kN

trends C:	915
static state Co:	1040
Fatigue load limit Pu:	116

Rated rotation speed is
r/min

Refer to the speed:	2800
limit speed:	4300
Specification standard holder:	24

model

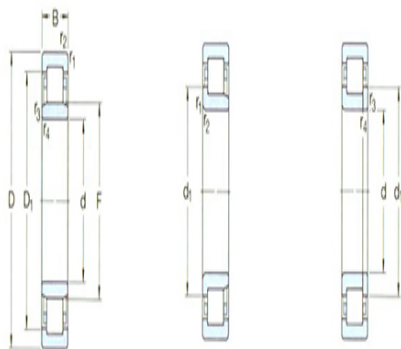
Standard holder:	*NU2324ECM A
Other holder 1):	-

Dimensions are
mm

d:	120
d ₁ ~ :	168
D1 ~ :	219
F,E:	154
r _{1,2} the min:	3
r _{3,4} the min:	3
s ¹⁾ :	7.2

Shoulder gear and chamfer size
mm

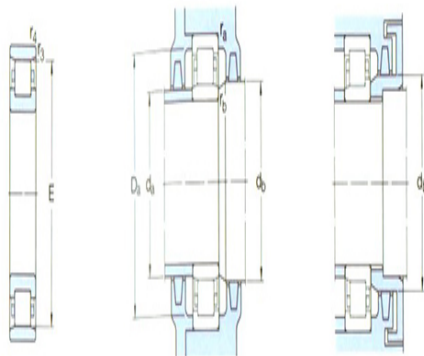
d _a the min:	134
d _a the max:	150
d _b ,D _a the min:	157
D _a the max:	246



NU

NU

NJP



N



图例

r_a the max: 2.5

r_b the max: 2.5

Calculation coefficient

kr: 0.25

Corner circle

model: HJ2324EC

quality: 1.45

Size B1: 14

Size B2: 26