



Model: NJ2324ECMA

Basic size of
mm

d:	120
D:	260
B:	86

The basic rated load is
kN

trends C:	915
static state Co:	1040
Fatigue load limit Pu:	116

Rated rotation speed is
r/min

Refer to the speed:	2800
limit speed:	4300
Specification standard holder:	24.3

model

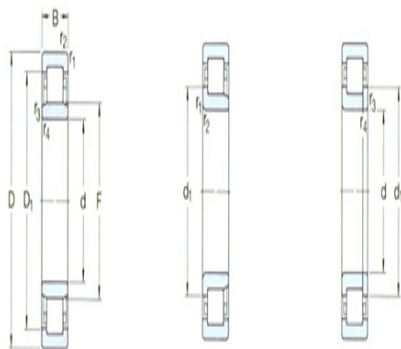
Standard holder:	*NJ2324ECM A
Other holder 1):	M

Dimensions are
mm

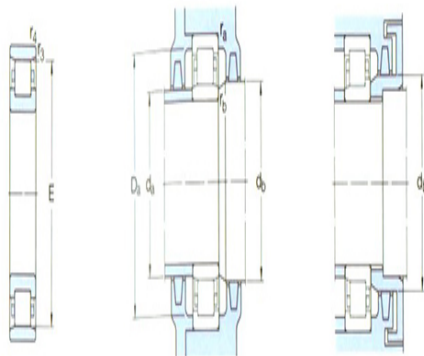
d:	120
d ₁ ~ :	168
D1 ~ :	219
F,E:	154
r _{1,2} the min:	3
r _{3,4} the min:	3
s ¹⁾ :	7.2

Shoulder gear and chamfer size
mm

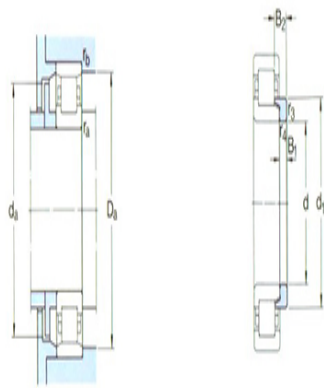
d _a the min:	134
d _a the max:	150
d _b ,D _a the min:	171
D _a the max:	246



NU NU NJP



N



角鋼

r_a the max:	2.5
r_b the max:	2.5

Calculation coefficient

kr:	0.25
-----	------

Corner circle

model:	HJ2324EC
quality:	1.45
Size B1:	14
Size B2:	26