

## Model: NUP2324ECMA

Basic size of  
mm

|    |     |
|----|-----|
| d: | 120 |
| D: | 260 |
| B: | 86  |

The basic rated load is  
kN

|                        |      |
|------------------------|------|
| trends C:              | 915  |
| static state Co:       | 1040 |
| Fatigue load limit Pu: | 116  |

Rated rotation speed is  
r/min

|                                |      |
|--------------------------------|------|
| Refer to the speed:            | 2800 |
| limit speed:                   | 4300 |
| Specification standard holder: | 24.3 |

model

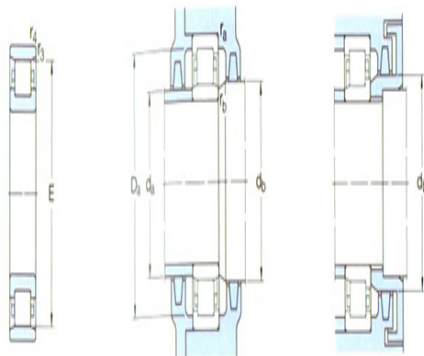
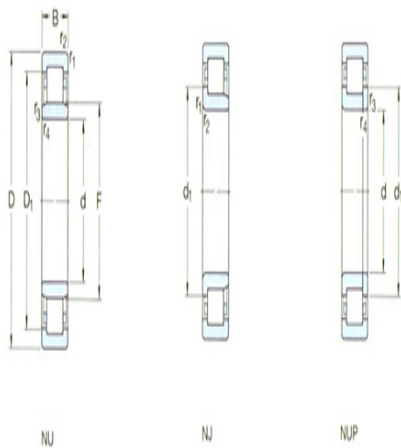
|                  |              |
|------------------|--------------|
| Standard holder: | *NUP2324ECMA |
|                  | A            |
| Other holder 1): | -            |

Dimensions are  
mm

|                           |     |
|---------------------------|-----|
| d:                        | 120 |
| d <sub>1</sub> ~ :        | 168 |
| D1 ~ :                    | 219 |
| F,E:                      | 154 |
| r <sub>1,2</sub> the min: | 3   |
| r <sub>3,4</sub> the min: | 3   |
| s <sup>1)</sup> :         | -   |

Shoulder gear and chamfer size  
mm

|                             |     |
|-----------------------------|-----|
| d <sub>a</sub> the min:     | 134 |
| d <sub>a</sub> the max:     | -   |
| d <sub>b</sub> ,Da the min: | 171 |
| Da the max:                 | 246 |



N



图例

$r_a$  the max: 2.5

$r_b$  the max: 2.5

Calculation coefficient

kr: 0.25

Corner circle

model: -

quality: -

Size B1: -

Size B2: -