

Model: NU424

Basic size of
mm

d:	120
D:	310
B:	72

The basic rated load is
kN

trends C:	644
static state Co:	735
Fatigue load limit Pu:	78

Rated rotation speed is
r/min

Refer to the speed:	2400
limit speed:	2800
Specification standard holder:	28

model

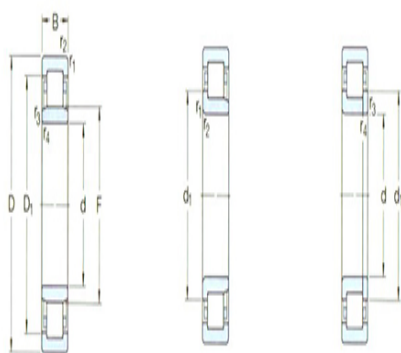
Standard holder:	NU42
	4
Other holder 1):	-

Dimensions are
mm

d:	120
d ₁ ~ :	188
D1 ~ :	240
F,E:	170
r _{1,2} the min:	5
r _{3,4} the min:	5
s ¹⁾ :	6.3

Shoulder gear and chamfer size
mm

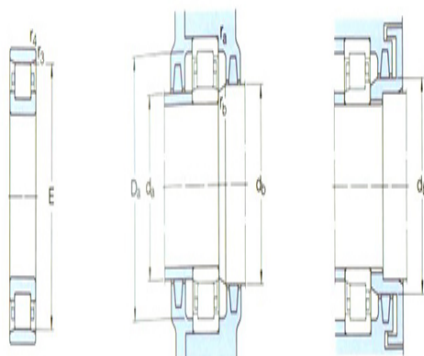
d _a the min:	144
d _a the max:	165
d _b ,D _a the min:	173
D _a the max:	286



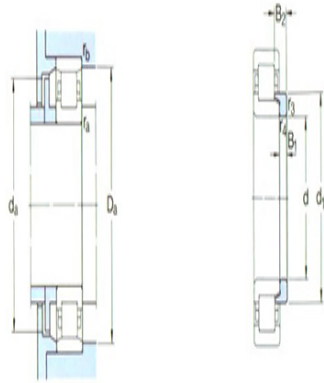
NU

NU

NJP



N



图例

r_a the max: 4

r_b the max: 4

Calculation coefficient

kr: 0.15

Corner circle

model: HJ424

quality: 2.6

Size B1: 17

Size B2: 30.5