



Model: NU1026ML

Basic size of
mm

d:	130
D:	200
B:	33

The basic rated load is
kN

trends C:	165
static state Co:	224
Fatigue load limit Pu:	25

Rated rotation speed is
r/min

Refer to the speed:	3800
limit speed:	5600
Specification standard holder:	3.8

model

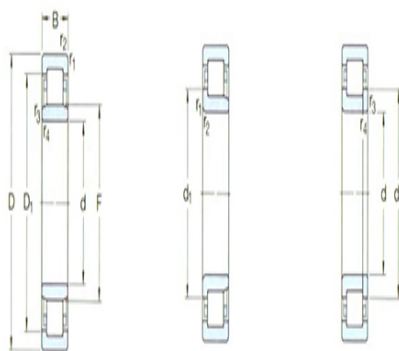
Standard holder:	NU1026M L
Other holder 1):	M

Dimensions are
mm

d:	130
d ₁ ~ :	-
D1 ~ :	175
F,E:	148
r _{1,2} the min:	2
r _{3,4} the min:	1.1
s ¹⁾ :	4.7

Shoulder gear and chamfer size
mm

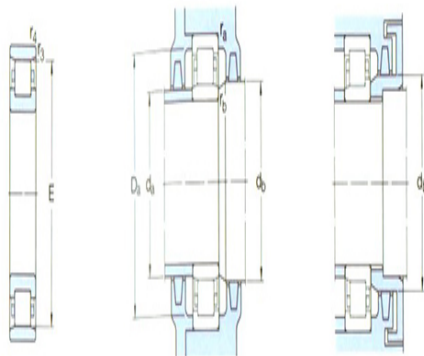
d _a the min:	136
d _a the max:	145
d _b ,D _a the min:	151
D _a the max:	191



NU

NU

NJP



N



图例

r_a the max:	2
r_b the max:	1

Calculation coefficient

kr:	0.1
-----	-----

Corner circle

model:	-
quality:	-
Size B1:	-
Size B2:	-