



Model: NJ226ECP

Basic size of
mm

d:	130
D:	230
B:	40

The basic rated load is
kN

trends C:	415
static state Co:	455
Fatigue load limit Pu:	51

Rated rotation speed is
r/min

Refer to the speed:	3200
limit speed:	3400
Specification standard holder:	6.6

model

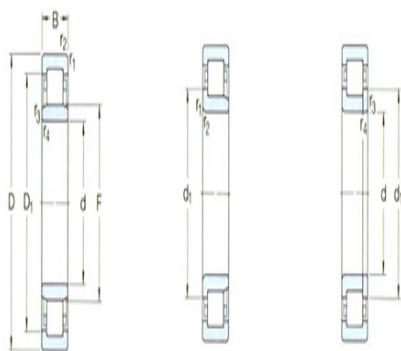
Standard holder:	*NJ226ECP
Other holder 1):	J,M,ML

Dimensions are
mm

d:	130
d ₁ ~ :	164
D1 ~ :	202
F,E:	153.5
r _{1,2} the min:	3
r _{3,4} the min:	3
s ¹⁾ :	2.1

Shoulder gear and chamfer size
mm

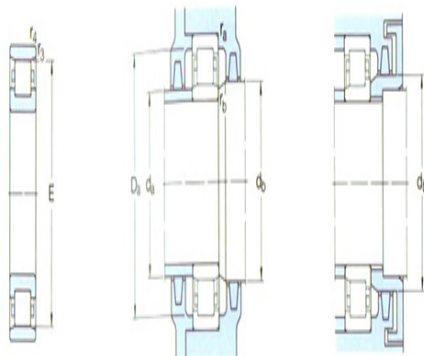
d _a the min:	144
d _a the max:	150
d _b ,D _a the min:	167
D _a the max:	216



NU

NU

NJP



N



角鋼

r_a the max: 2.5

r_b the max: 2.5

Calculation coefficient

kr: 0.15

Corner circle

model: HJ226EC

quality: 0.75

Size B1: 11

Size B2: 17