



## Model: NUP226ECP

Basic size of  
mm

d:	130
D:	230
B:	40

The basic rated load is  
kN

trends C:	415
static state Co:	455
Fatigue load limit Pu:	51

Rated rotation speed is  
r/min

Refer to the speed:	3200
limit speed:	3400
Specification standard holder:	6.75

model

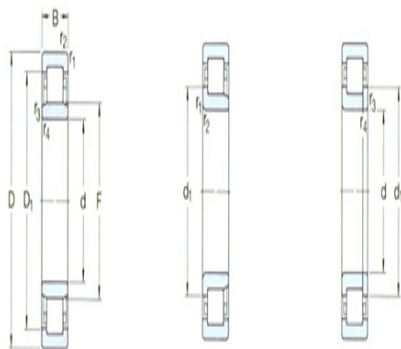
Standard holder:	*NUP226ECP
Other holder 1):	J,ML

Dimensions are  
mm

d:	130
d <sub>1</sub> ~ :	164
D1 ~ :	202
F,E:	153.5
r <sub>1,2</sub> the min:	3
r <sub>3,4</sub> the min:	3
s <sup>1)</sup> :	-

Shoulder gear and chamfer size  
mm

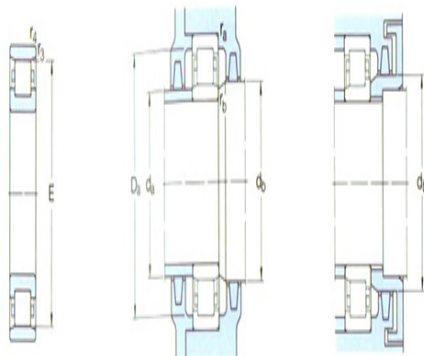
d <sub>a</sub> the min:	144
d <sub>a</sub> the max:	-
d <sub>b</sub> ,D <sub>a</sub> the min:	167
D <sub>a</sub> the max:	216



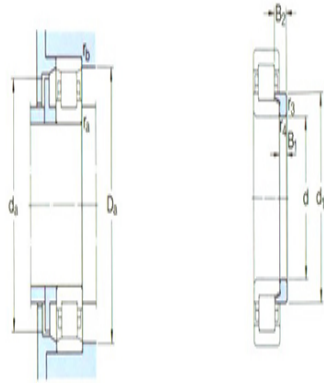
NU

NU

NJP



N



图例

$r_a$  the max: 2.5

$r_b$  the max: 2.5

Calculation coefficient

kr: 0.15

Corner circle

model: -

quality: -

Size B1: -

Size B2: -