



Model: N226ECP

Basic size of
 mm

d:	130
D:	230
B:	40

The basic rated load is
 kN

trends C:	415
static state Co:	455
Fatigue load limit Pu:	51

Rated rotation speed is
 r/min

Refer to the speed:	3200
limit speed:	3400
Specification standard holder:	6.3

model

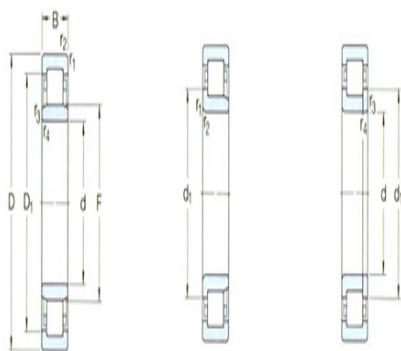
Standard holder:	*N226EC P
Other holder 1):	-

Dimensions are
 mm

d:	130
d ₁ ~ :	164
D1 ~ :	-
F,E:	209.5
r _{1,2} the min:	3
r _{3,4} the min:	3
s ¹⁾ :	2.1

Shoulder gear and chamfer size
 mm

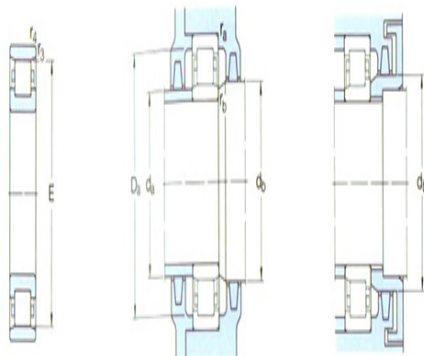
d _a the min:	144
d _a the max:	206
d _b ,D _a the min:	213
D _a the max:	216



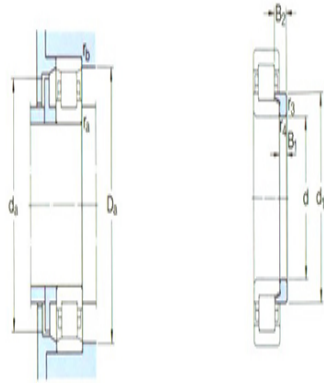
NU

NU

NJP



N



图例

r_a the max:	2.5
r_b the max:	2.5

Calculation coefficient

kr:	0.15
-----	------

Corner circle

model:	-
quality:	-
Size B1:	-
Size B2:	-