



Model: NJ2226ECP

Basic size of
 mm

d:	130
D:	230
B:	64

The basic rated load is
 kN

trends C:	610
static state Co:	735
Fatigue load limit Pu:	83

Rated rotation speed is
 r/min

Refer to the speed:	3200
limit speed:	3400
Specification standard holder:	12.2

model

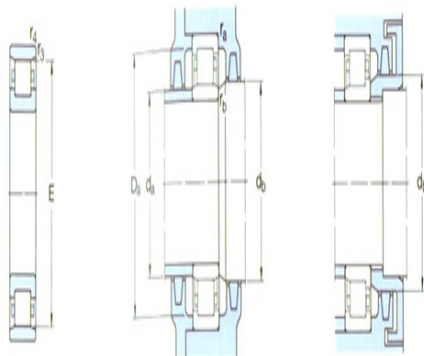
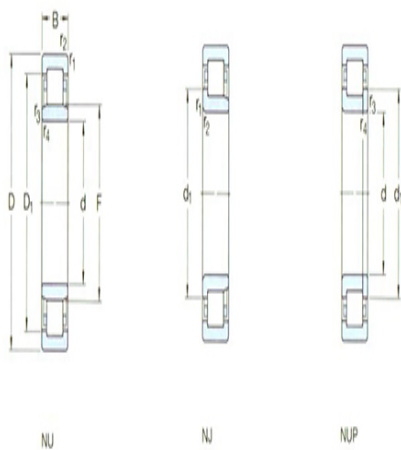
Standard holder:	*NJ2226ECP
Other holder 1):	ML

Dimensions are
 mm

d:	130
d ₁ ~ :	164
D1 ~ :	202
F,E:	153.5
r _{1,2} the min:	3
r _{3,4} the min:	3
s ¹⁾ :	4.3

Shoulder gear and chamfer size
 mm

d _a the min:	144
d _a the max:	149
d _b ,Da the min:	167
Da the max:	216



N



角鋼

r_a the max: 2.5

r_b the max: 2.5

Calculation coefficient

kr: 0.2

Corner circle

model: HJ2226EC

quality: 0.83

Size B1: 11

Size B2: 21