



Model: NU326ECP

Basic size of
 mm

| | |
|----|-----|
| d: | 130 |
| D: | 280 |
| B: | 58 |

The basic rated load is
 kN

| | |
|------------------------|------|
| trends C: | 720 |
| static state Co: | 750 |
| Fatigue load limit Pu: | 81.5 |

Rated rotation speed is
 r/min

| | |
|--------------------------------|------|
| Refer to the speed: | 2400 |
| limit speed: | 3000 |
| Specification standard holder: | 16.5 |

model

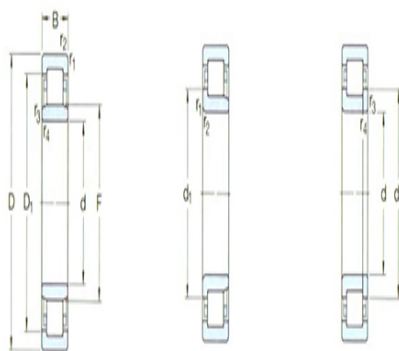
| | |
|------------------|---------------|
| Standard holder: | *NU326EC P |
| Other holder 1): | J,M,ML |

Dimensions are
 mm

| | |
|---------------------------|-----|
| d: | 130 |
| d ₁ ~ : | 181 |
| D1 ~ : | 236 |
| F,E: | 167 |
| r _{1,2} the min: | 4 |
| r _{3,4} the min: | 4 |
| s ¹⁾ : | 3.7 |

Shoulder gear and chamfer size
 mm

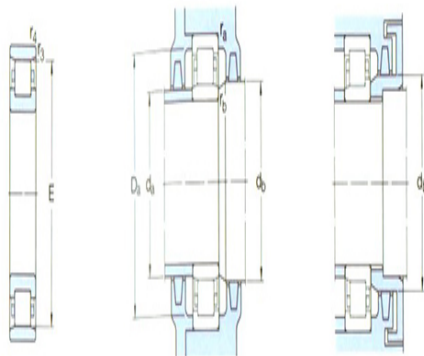
| | |
|---|-----|
| d _a the min: | 147 |
| d _a the max: | 163 |
| d _b ,D _a the min: | 170 |
| D _a the max: | 263 |



NU

NU

NJP



N



角鋼

| | |
|----------------|---|
| r_a the max: | 3 |
| r_b the max: | 3 |

Calculation coefficient

| | |
|-----|------|
| kr: | 0.15 |
|-----|------|

Corner circle

| | |
|----------|---------|
| model: | HJ326EC |
| quality: | 1.6 |
| Size B1: | 14 |
| Size B2: | 23 |