



## Model: NUP326ECP

Basic size of  
mm

d:	130
D:	280
B:	58

The basic rated load is  
kN

trends C:	720
static state Co:	750
Fatigue load limit Pu:	81.5

Rated rotation speed is  
r/min

Refer to the speed:	2400
limit speed:	3000
Specification standard holder:	19.6

model

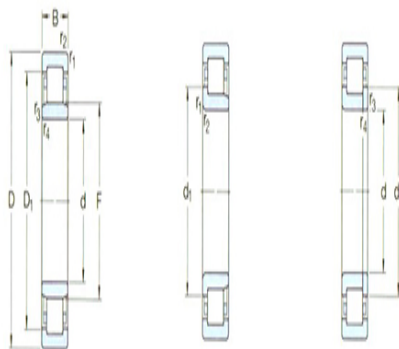
Standard holder:	*NUP326EC P
Other holder 1):	ML

Dimensions are  
mm

d:	130
d <sub>1</sub> ~ :	181
D1 ~ :	236
F,E:	167
r <sub>1,2</sub> the min:	4
r <sub>3,4</sub> the min:	4
s <sup>1)</sup> :	-

Shoulder gear and chamfer size  
mm

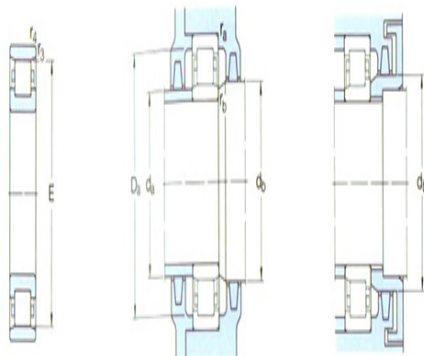
d <sub>a</sub> the min:	147
d <sub>a</sub> the max:	-
d <sub>b</sub> ,Da the min:	185
Da the max:	263



NU

NU

NUP



N



图例

$r_a$  the max: 3

$r_b$  the max: 3

Calculation coefficient

kr: 0.15

Corner circle

model: -

quality: -

Size B1: -

Size B2: -