



## Model: N326ECP

Basic size of  
 mm

d:	130
D:	280
B:	58

The basic rated load is  
 kN

trends C:	720
static state Co:	750
Fatigue load limit Pu:	81.5

Rated rotation speed is  
 r/min

Refer to the speed:	2400
limit speed:	3000
Specification standard holder:	18.5

model

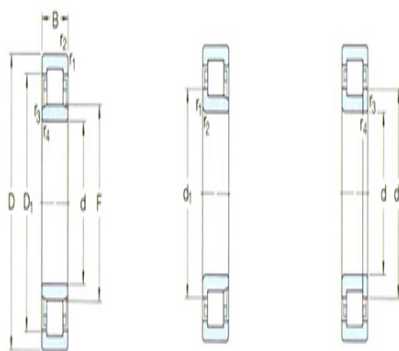
Standard holder:	*N326EC P
Other holder 1):	M

Dimensions are  
 mm

d:	130
d <sub>1</sub> ~ :	181
D1 ~ :	-
F,E:	247
r <sub>1,2</sub> the min:	4
r <sub>3,4</sub> the min:	4
s <sup>1)</sup> :	3.7

Shoulder gear and chamfer size  
 mm

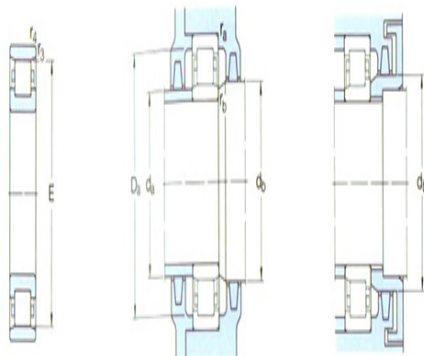
d <sub>a</sub> the min:	147
d <sub>a</sub> the max:	243
d <sub>b</sub> ,D <sub>a</sub> the min:	251
D <sub>a</sub> the max:	263



NU

NU

NJP



N



图例

$r_a$  the max: 3

$r_b$  the max: 3

Calculation coefficient

kr: 0.15

Corner circle

model: -

quality: -

Size B1: -

Size B2: -