



Model: NJ2326ECMA

Basic size of
 mm

d:	130
D:	280
B:	93

The basic rated load is
 kN

trends C:	1060
static state Co:	1250
Fatigue load limit Pu:	137

Rated rotation speed is
 r/min

Refer to the speed:	2400
limit speed:	3000
Specification standard holder:	30.5

model

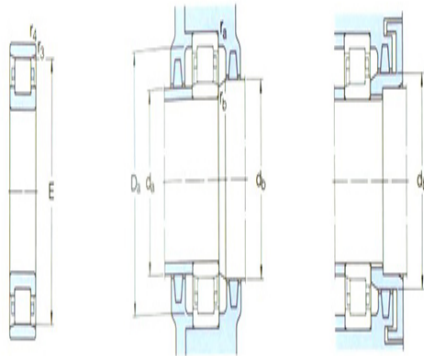
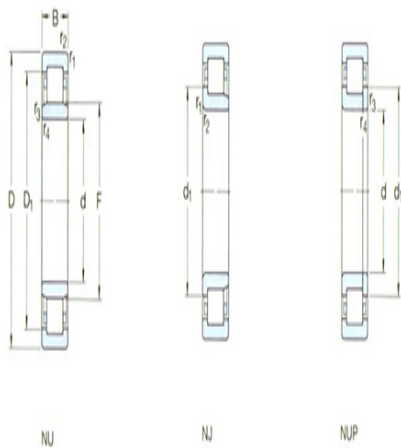
Standard holder:	*NJ2326ECM A
Other holder 1):	-

Dimensions are
 mm

d:	130
d ₁ ~ :	181
D1 ~ :	236
F,E:	167
r _{1,2} the min:	4
r _{3,4} the min:	4
s ¹⁾ :	8.7

Shoulder gear and chamfer size
 mm

d _a the min:	147
d _a the max:	163
d _b ,D _a the min:	185
D _a the max:	263



N



角鋼

r_a the max: 3

r_b the max: 3

Calculation coefficient

kr: 0.25

Corner circle

model: HJ2326EC

quality: 1.7

Size B1: 14

Size B2: 28