



Model: NUP2326ECMA

Basic size of
 mm

| | |
|----|-----|
| d: | 130 |
| D: | 280 |
| B: | 93 |

The basic rated load is
 kN

| | |
|------------------------|------|
| trends C: | 1060 |
| static state Co: | 1250 |
| Fatigue load limit Pu: | 137 |

Rated rotation speed is
 r/min

| | |
|--------------------------------|------|
| Refer to the speed: | 2400 |
| limit speed: | 3000 |
| Specification standard holder: | 31 |

model

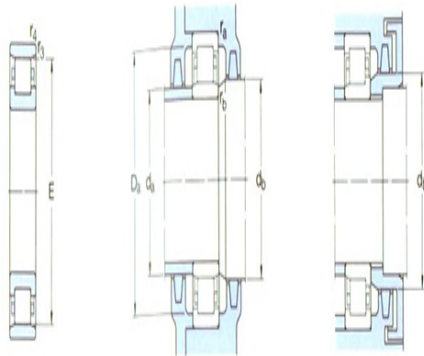
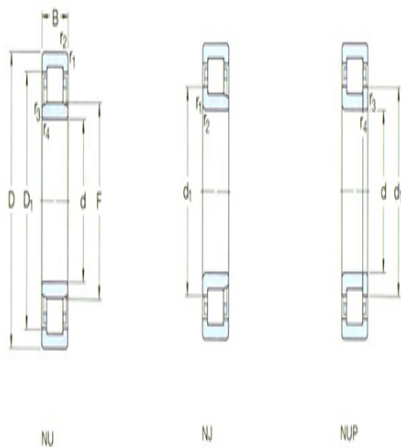
| | |
|------------------|-------------------|
| Standard holder: | *NUP2326ECMA A |
| Other holder 1): | - |

Dimensions are
 mm

| | |
|---------------------------|-----|
| d: | 130 |
| d ₁ ~ : | 181 |
| D1 ~ : | 236 |
| F,E: | 167 |
| r _{1,2} the min: | 4 |
| r _{3,4} the min: | 4 |
| s ¹⁾ : | - |

Shoulder gear and chamfer size
 mm

| | |
|-----------------------------|-----|
| d _a the min: | 147 |
| d _a the max: | - |
| d _b ,Da the min: | 185 |
| Da the max: | 263 |



N



图例

r_a the max: 3

r_b the max: 3

Calculation coefficient

kr: 0.25

Corner circle

model: -

quality: -

Size B1: -

Size B2: -