



Model: NU228ECM

Basic size of
 mm

d:	140
D:	250
B:	42

The basic rated load is
 kN

trends C:	450
static state Co:	510
Fatigue load limit Pu:	57

Rated rotation speed is
 r/min

Refer to the speed:	2800
limit speed:	3200
Specification standard holder:	8.5

model

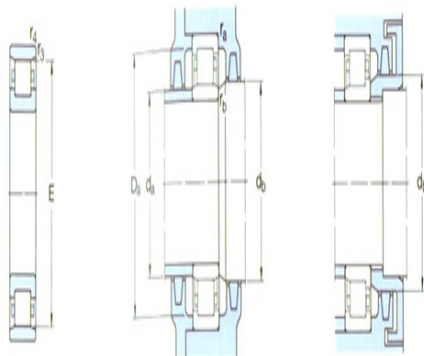
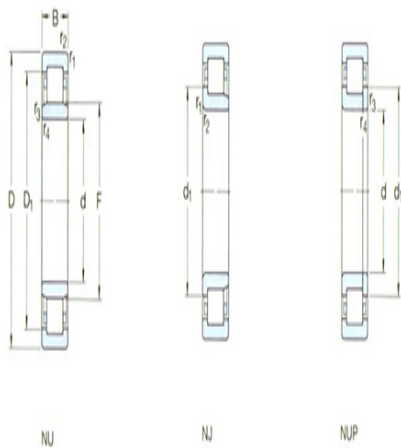
Standard holder:	*NU228EC M
Other holder 1):	J,ML

Dimensions are
 mm

d:	140
d ₁ ~ :	-
D1 ~ :	217
F,E:	169
r _{1,2} the min:	3
r _{3,4} the min:	3
s ¹⁾ :	2.5

Shoulder gear and chamfer size
 mm

d _a the min:	154
d _a the max:	166
d _b ,Da the min:	172
Da the max:	236



N



图例

r_a the max: 2.5

r_b the max: 2.5

Calculation coefficient

kr: 0.15

Corner circle

model: -

quality: -

Size B1: -

Size B2: -