



Model: NJ228ECM

Basic size of
mm

d:	140
D:	250
B:	42

The basic rated load is
kN

trends C:	450
static state Co:	510
Fatigue load limit Pu:	57

Rated rotation speed is
r/min

Refer to the speed:	2800
limit speed:	3200
Specification standard holder:	8.75

model

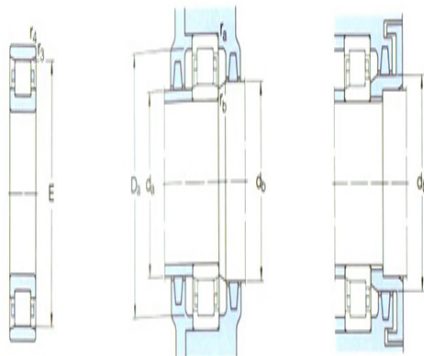
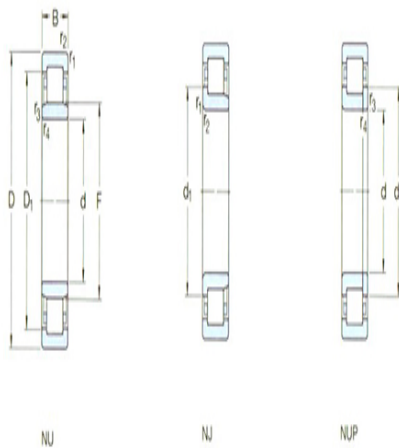
Standard holder:	*NJ228EC M
Other holder 1):	J,ML

Dimensions are
mm

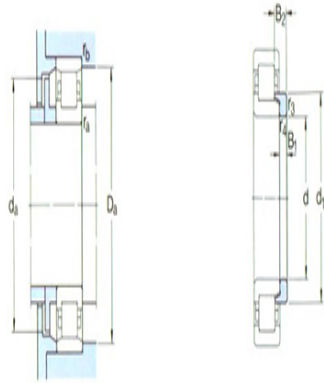
d:	140
d ₁ ~ :	179
D1 ~ :	217
F,E:	169
r _{1,2} the min:	3
r _{3,4} the min:	3
s ¹⁾ :	2.5

Shoulder gear and chamfer size
mm

d _a the min:	154
d _a the max:	166
d _b ,Da the min:	183
Da the max:	236



N



图例

r_a the max:	2.5
r_b the max:	2.5

Calculation coefficient

kr:	0.15
-----	------

Corner circle

model:	-
quality:	-
Size B1:	-
Size B2:	-