



**Model: NUP2228ECML**

Basic size of  
 mm

d:	140
D:	250
B:	68

The basic rated load is  
 kN

trends C:	655
static state Co:	830
Fatigue load limit Pu:	93

Rated rotation speed is  
 r/min

Refer to the speed:	2800
limit speed:	4800
Specification standard holder:	15.6

model

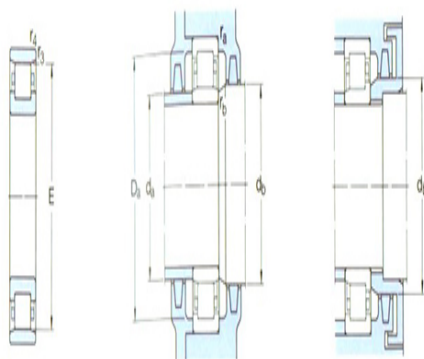
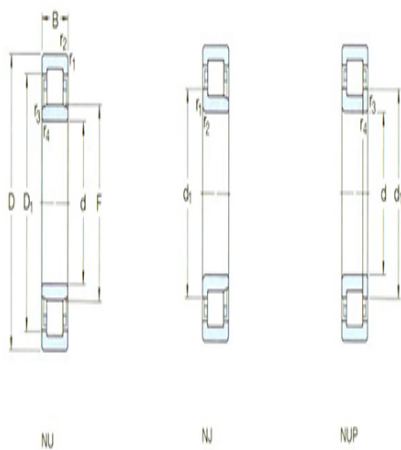
Standard holder:	*NUP2228ECML
Other holder 1):	-

Dimensions are  
 mm

d:	140
d <sub>1</sub> ~ :	179
D1 ~ :	217
F,E:	169
r <sub>1,2</sub> the min:	3
r <sub>3,4</sub> the min:	3
s <sup>1)</sup> :	-

Shoulder gear and chamfer size  
 mm

d <sub>a</sub> the min:	154
d <sub>a</sub> the max:	-
d <sub>b</sub> ,Da the min:	183
Da the max:	236



N



图例

$r_a$  the max: 2.5

$r_b$  the max: 2.5

Calculation coefficient

kr: 0.2

Corner circle

model: -

quality: -

Size B1: -

Size B2: -