



Model: NJ328ECM

Basic size of
mm

d:	140
D:	300
B:	62

The basic rated load is
kN

trends C:	780
static state Co:	830
Fatigue load limit Pu:	88

Rated rotation speed is
r/min

Refer to the speed:	2400
limit speed:	2800
Specification standard holder:	23

model

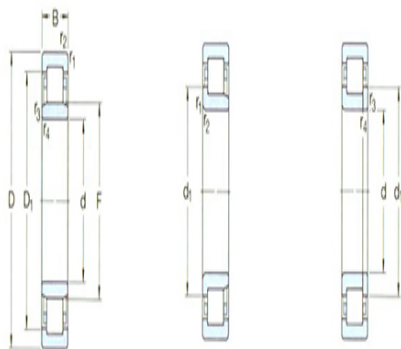
Standard holder:	*NJ328EC M
Other holder 1):	J,ML

Dimensions are
mm

d:	140
d ₁ ~ :	195
D1 ~ :	252
F,E:	180
r _{1,2} the min:	4
r _{3,4} the min:	4
s ¹⁾ :	3.7

Shoulder gear and chamfer size
mm

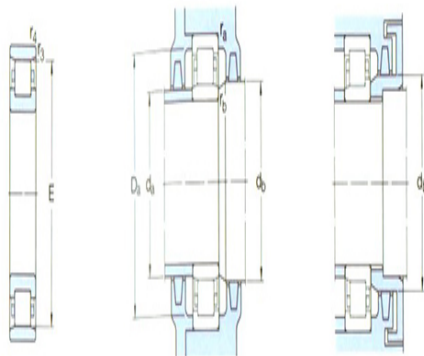
d _a the min:	157
d _a the max:	176
d _b ,Da the min:	199
Da the max:	283



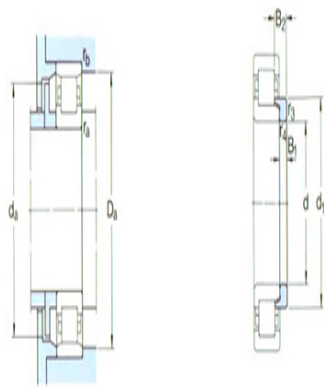
NU

NU

NJP



N



角鋼

r_a the max:	3
r_b the max:	3

Calculation coefficient

kr:	0.15
-----	------

Corner circle

model:	HJ328EC
quality:	2
Size B1:	15
Size B2:	25