



## Model: NUP328ECM

Basic size of  
mm

d:	140
D:	300
B:	62

The basic rated load is  
kN

trends C:	780
static state Co:	830
Fatigue load limit Pu:	88

Rated rotation speed is  
r/min

Refer to the speed:	2400
limit speed:	2800
Specification standard holder:	23.5

model

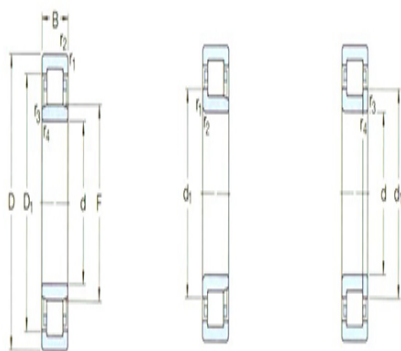
Standard holder:	*NUP328EC M
Other holder 1):	ML

Dimensions are  
mm

d:	140
d <sub>1</sub> ~ :	195
D1 ~ :	252
F,E:	180
r <sub>1,2</sub> the min:	4
r <sub>3,4</sub> the min:	4
s <sup>1)</sup> :	-

Shoulder gear and chamfer size  
mm

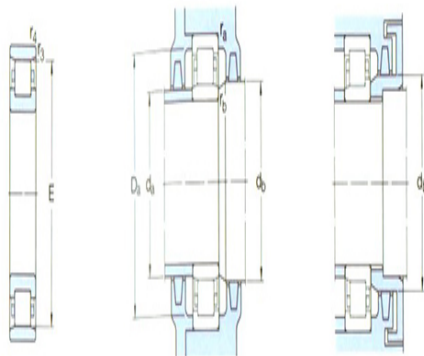
d <sub>a</sub> the min:	157
d <sub>a</sub> the max:	-
d <sub>b</sub> ,Da the min:	199
Da the max:	283



NU

NU

NUP



N



图例

$r_a$  the max: 3

$r_b$  the max: 3

Calculation coefficient

kr: 0.15

Corner circle

model: -

quality: -

Size B1: -

Size B2: -