

Model: NU1034ML

Basic size of
mm

d:	170
D:	260
B:	42

The basic rated load is
kN

trends C:	275
static state Co:	400
Fatigue load limit Pu:	41.5

Rated rotation speed is
r/min

Refer to the speed:	2800
limit speed:	4300
Specification standard holder:	8.15

model

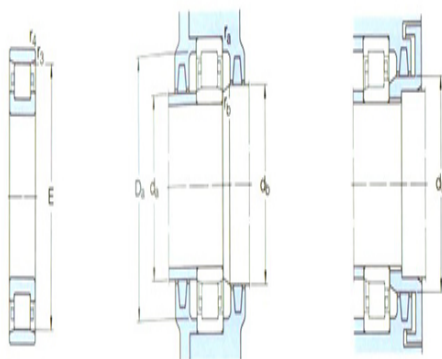
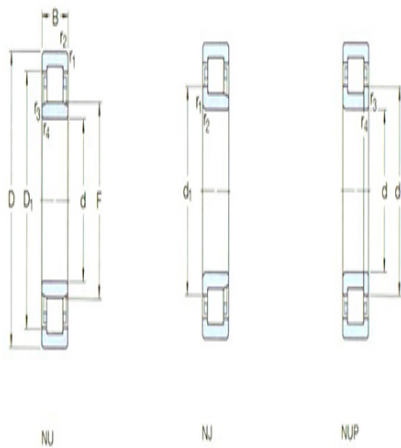
Standard holder:	NU1034M L
Other holder 1):	M

Dimensions are
mm

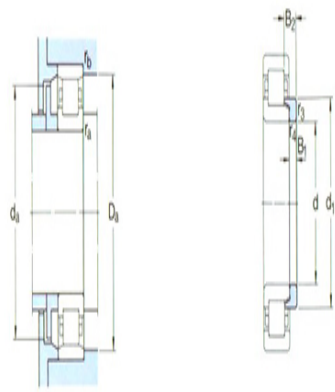
d:	170
d ₁ ~ :	201
D1 ~ :	227
F,E:	193
r _{1,2} the min:	2.1
r _{3,4} the min:	2.1
s ¹⁾ :	5.8

Shoulder gear and chamfer size
mm

d _a the min:	180
d _a the max:	190
d _b ,Da the min:	196
Da the max:	250



N



轴副

r_a the max:	2
r_b the max:	2

Calculation coefficient

kr:	0.1
-----	-----

Corner circle

model:	HJ1034
quality:	0.94
Size B1:	11
Size B2:	21