



## Model: NU234ECM

Basic size of  
mm

d:	170
D:	310
B:	52

The basic rated load is  
kN

trends C:	695
static state Co:	815
Fatigue load limit Pu:	85

Rated rotation speed is  
r/min

Refer to the speed:	2200
limit speed:	2400
Specification standard holder:	19

model

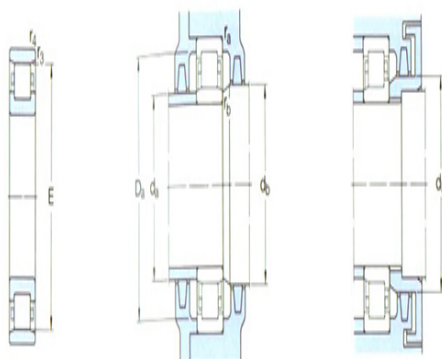
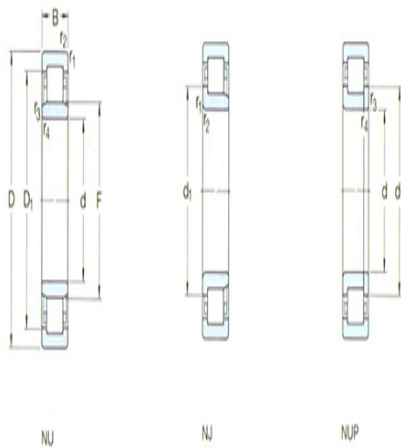
Standard holder:	*NU234EC M
Other holder 1):	MA

Dimensions are  
mm

d:	170
d <sub>1</sub> ~ :	220
D1 ~ :	268
F,E:	207
r <sub>1,2</sub> the min:	4
r <sub>3,4</sub> the min:	4
s <sup>1)</sup> :	2.9

Shoulder gear and chamfer size  
mm

d <sub>a</sub> the min:	187
d <sub>a</sub> the max:	203
d <sub>b</sub> ,Da the min:	210
Da the max:	293



N



轴副

$r_a$  the max: 3

$r_b$  the max: 3

Calculation coefficient

kr: 0.15

Corner circle

model: HJ234EC

quality: 1.65

Size B1: 12

Size B2: 20