



Model: NJ234ECM

Basic size of
 mm

d:	170
D:	310
B:	52

The basic rated load is
 kN

trends C:	695
static state Co:	815
Fatigue load limit Pu:	85

Rated rotation speed is
 r/min

Refer to the speed:	2200
limit speed:	2400
Specification standard holder:	19.5

model

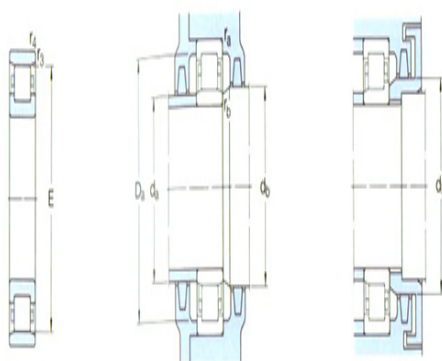
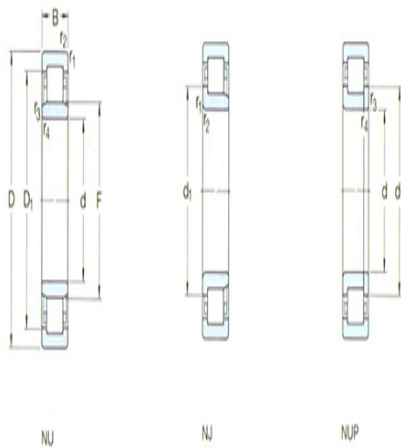
Standard holder:	*NJ234EC M
Other holder 1):	MA

Dimensions are
 mm

d:	170
d ₁ ~ :	220
D1 ~ :	268
F,E:	207
r _{1,2} the min:	4
r _{3,4} the min:	4
s ¹⁾ :	2.9

Shoulder gear and chamfer size
 mm

d _a the min:	187
d _a the max:	203
d _b ,D _a the min:	224
D _a the max:	293



N



轴副

r_a the max: 3

r_b the max: 3

Calculation coefficient

kr: 0.15

Corner circle

model: HJ234EC

quality: 1.65

Size B1: 12

Size B2: 20