



Model: NUP234ECM

Basic size of
mm

d:	170
D:	310
B:	52

The basic rated load is
kN

trends C:	695
static state Co:	815
Fatigue load limit Pu:	85

Rated rotation speed is
r/min

Refer to the speed:	2200
limit speed:	2400
Specification standard holder:	20

model

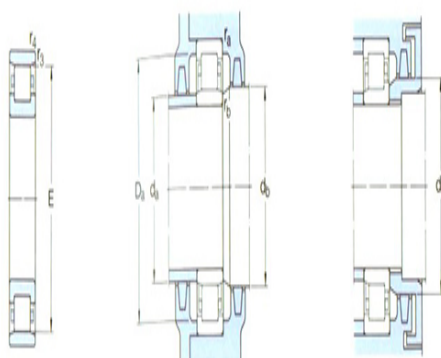
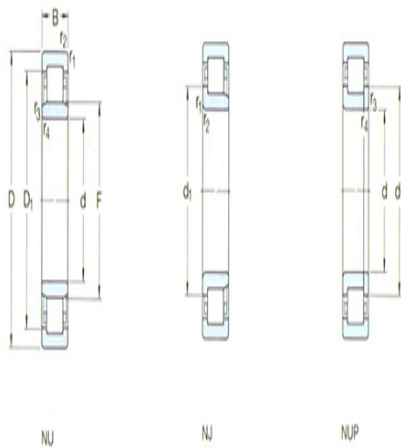
Standard holder:	*NUP234EC M
Other holder 1):	MA

Dimensions are
mm

d:	170
d ₁ ~ :	220
D1 ~ :	268
F,E:	207
r _{1,2} the min:	4
r _{3,4} the min:	4
s ¹⁾ :	-

Shoulder gear and chamfer size
mm

d _a the min:	187
d _a the max:	-
d _b ,Da the min:	224
Da the max:	293



N



轴类

r_a the max: 3

r_b the max: 3

Calculation coefficient

kr: 0.15

Corner circle

model: -

quality: -

Size B1: -

Size B2: -