



Model: N334ECM

Basic size of
mm

d:	170
D:	360
B:	72

The basic rated load is
kN

trends C:	952
static state Co:	1180
Fatigue load limit Pu:	116

Rated rotation speed is
r/min

Refer to the speed:	1700
limit speed:	2200
Specification standard holder:	38.5

model

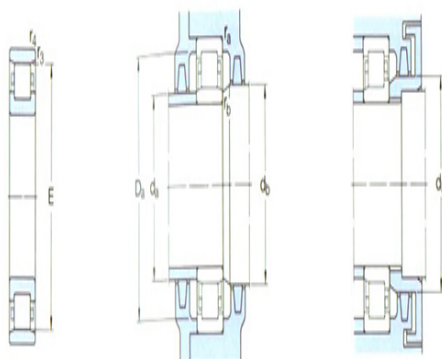
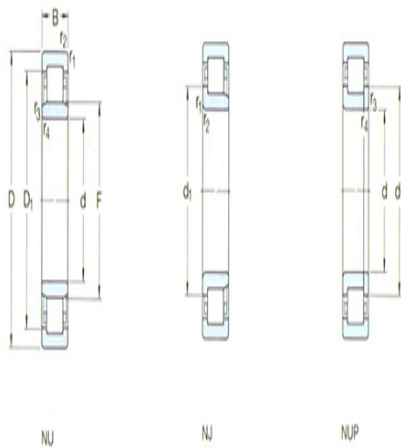
Standard holder:	N334EC M
Other holder 1):	-

Dimensions are
mm

d:	170
d ₁ ~ :	236
D1 ~ :	-
F,E:	318
r _{1,2} the min:	4
r _{3,4} the min:	4
s ¹⁾ :	4.6

Shoulder gear and chamfer size
mm

d _a the min:	187
d _a the max:	313
d _b ,D _a the min:	323
D _a the max:	343



N



轴副

r_a the max: 3

r_b the max: 3

Calculation coefficient

kr: 0.15

Corner circle

model: -

quality: -

Size B1: -

Size B2: -