



Model: NU2236ECMA

Basic size of
mm

d:	180
D:	320
B:	86

The basic rated load is
kN

trends C:	1100
static state Co:	1430
Fatigue load limit Pu:	146

Rated rotation speed is
r/min

Refer to the speed:	2200
limit speed:	3200
Specification standard holder:	31.5

model

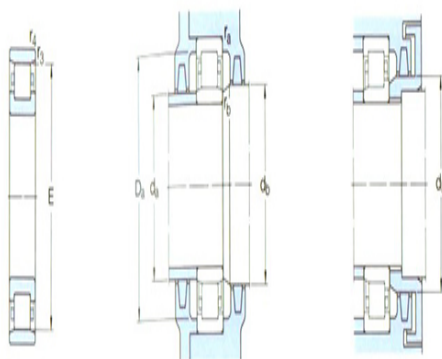
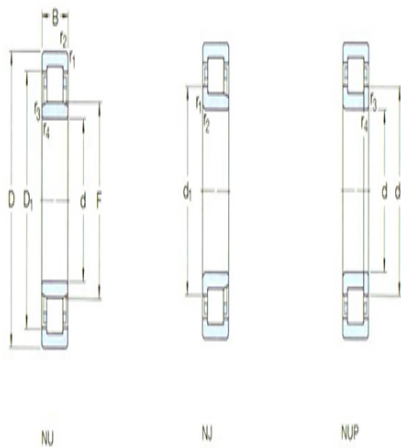
Standard holder:	*NU2236ECM A
Other holder 1):	M

Dimensions are
mm

d:	180
d ₁ ~ :	-
D1 ~ :	280
F,E:	215
r _{1,2} the min:	4
r _{3,4} the min:	4
s ¹⁾ :	4.2

Shoulder gear and chamfer size
mm

d _a the min:	197
d _a the max:	210
d _b ,D _a the min:	218
D _a the max:	303



N



轴副

r_a the max: 3

r_b the max: 3

Calculation coefficient

kr: 0.2

Corner circle

model: -

quality: -

Size B1: -

Size B2: -