

Model: NU2336ECMA

Basic size of
 mm

d:	180
D:	380
B:	126

The basic rated load is
 kN

trends C:	1610
static state Co:	2240
Fatigue load limit Pu:	216

Rated rotation speed is
 r/min

Refer to the speed:	1600
limit speed:	2800
Specification standard holder:	71.5

model

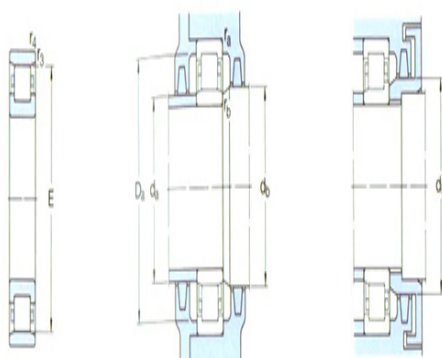
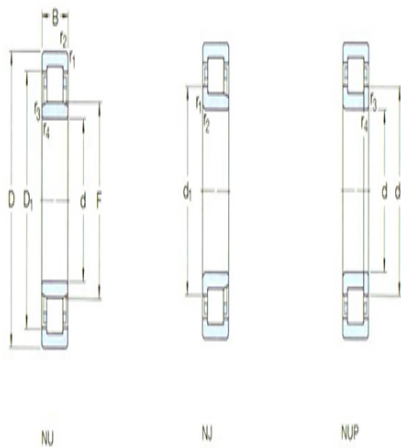
Standard holder:	NU2336ECM A
Other holder 1):	-

Dimensions are
 mm

d:	180
d ₁ ~ :	-
D1 ~ :	320
F,E:	231
r _{1,2} the min:	4
r _{3,4} the min:	4
s ¹⁾ :	8.2

Shoulder gear and chamfer size
 mm

d _a the min:	197
d _a the max:	223
d _b ,D _a the min:	235
D _a the max:	363



N



轴类

r_a the max: 3

r_b the max: 3

Calculation coefficient

kr: 0.25

Corner circle

model: -

quality: -

Size B1: -

Size B2: -