

Model: NU1038ML

Basic size of
mm

d:	190
D:	290
B:	46

The basic rated load is
kN

trends C:	347
static state Co:	500
Fatigue load limit Pu:	53

Rated rotation speed is
r/min

Refer to the speed:	2600
limit speed:	3800
Specification standard holder:	11

model

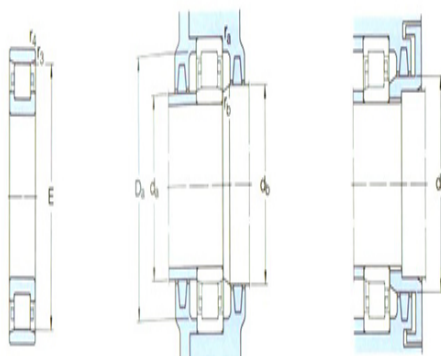
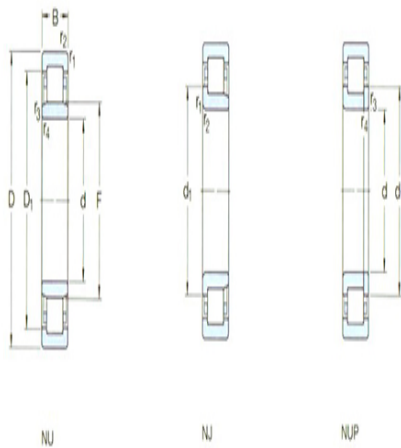
Standard holder:	NU1038M L
Other holder 1):	-

Dimensions are
mm

d:	190
d ₁ ~ :	-
D1 ~ :	254
F,E:	215
r _{1,2} the min:	2.1
r _{3,4} the min:	2.1
s ¹⁾ :	6.1

Shoulder gear and chamfer size
mm

d _a the min:	200
d _a the max:	212
d _b ,Da the min:	218
Da the max:	280



N



轴副

r_a the max: 2

r_b the max: 2

Calculation coefficient

kr: 0.1

Corner circle

model: -

quality: -

Size B1: -

Size B2: -