



## Model: NU2238ECMA

Basic size of  
mm

d:	190
D:	340
B:	92

The basic rated load is  
kN

trends C:	1220
static state Co:	1600
Fatigue load limit Pu:	160

Rated rotation speed is  
r/min

Refer to the speed:	2000
limit speed:	3000
Specification standard holder:	39

model

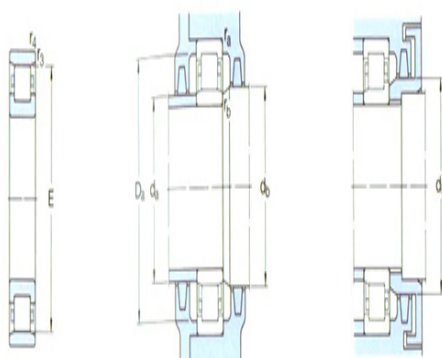
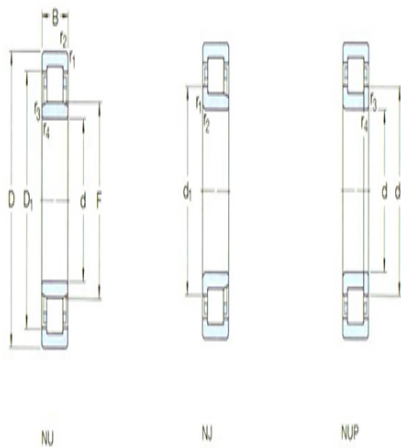
Standard holder:	*NU2238ECM A
Other holder 1):	-

Dimensions are  
mm

d:	190
d <sub>1</sub> ~ :	-
D1 ~ :	297
F,E:	228
r <sub>1,2</sub> the min:	4
r <sub>3,4</sub> the min:	4
s <sup>1)</sup> :	5

Shoulder gear and chamfer size  
mm

d <sub>a</sub> the min:	207
d <sub>a</sub> the max:	222
d <sub>b</sub> ,Da the min:	232
Da the max:	323



N



轴类

$r_a$  the max: 3

$r_b$  the max: 3

Calculation coefficient

kr: 0.2

Corner circle

model: -

quality: -

Size B1: -

Size B2: -