



Model: NU244ECMA

Basic size of
mm

d:	220
D:	400
B:	65

The basic rated load is
kN

trends C:	1060
static state Co:	1290
Fatigue load limit Pu:	125

Rated rotation speed is
r/min

Refer to the speed:	1600
limit speed:	2400
Specification standard holder:	38.5

model

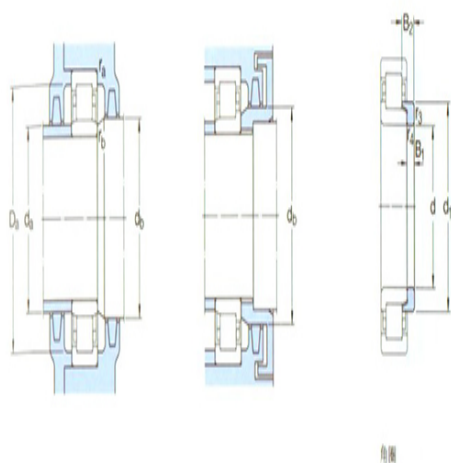
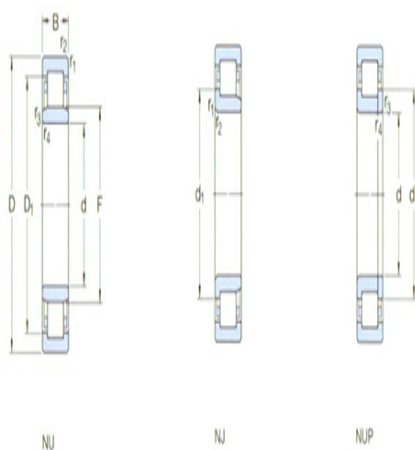
Standard holder:	*NU244ECM A
Other holder 1):	M

Dimensions are
mm

d:	220
d ₁ ~ :	-
D1 ~ :	344
F,E:	268
r _{1,2} the min:	4
r _{3,4} the min:	4
s ¹⁾ :	2.3

Shoulder gear and chamfer size
mm

d _a the min:	237
d _a the max:	264
d _b ,D _a the min:	270
D _a the max:	383



r_a the max:	3
----------------	---

r_b the max:	3
----------------	---

Calculation coefficient

kr:	0.15
-----	------

Corner circle

model:	-
--------	---

quality:	-
----------	---

Size B1:	-
----------	---

Size B2:	-
----------	---