



**Model: NJ344M**

Basic size of  
 mm

d:	220
D:	460
B:	88

The basic rated load is  
 kN

trends C:	1210
static state Co:	1630
Fatigue load limit Pu:	150

Rated rotation speed is  
 r/min

Refer to the speed:	1500
limit speed:	1700
Specification standard holder:	73.5

model

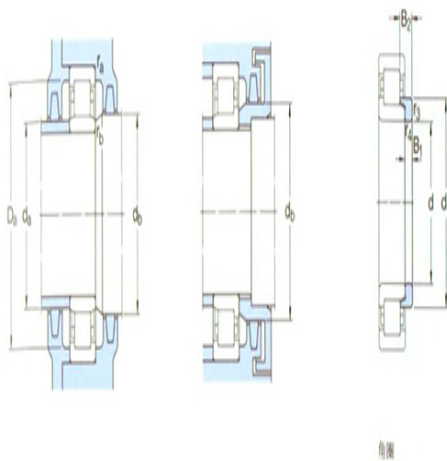
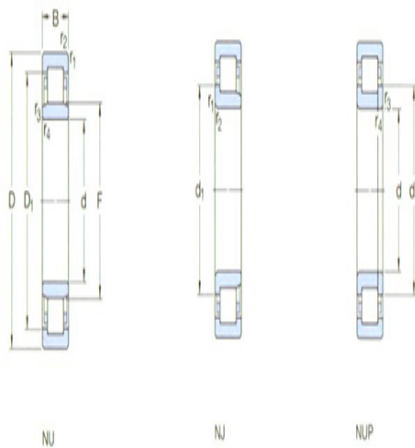
Standard holder:	NJ344 M
Other holder 1):	-

Dimensions are  
 mm

d:	220
d <sub>1</sub> ~ :	307
D1 ~ :	371
F,E:	284
r <sub>1,2</sub> the min:	5
r <sub>3,4</sub> the min:	5
s <sup>1)</sup> :	5.2

Shoulder gear and chamfer size  
 mm

d <sub>a</sub> the min:	240
d <sub>a</sub> the max:	277
d <sub>b</sub> ,D <sub>a</sub> the min:	311
D <sub>a</sub> the max:	440



$r_a$ the max:	4
$r_b$ the max:	4

Calculation coefficient

kr:	0.15
-----	------

Corner circle

model:	-
quality:	-
Size B1:	-
Size B2:	-