



Model: LM11749/710/Q

Basic size of
mm

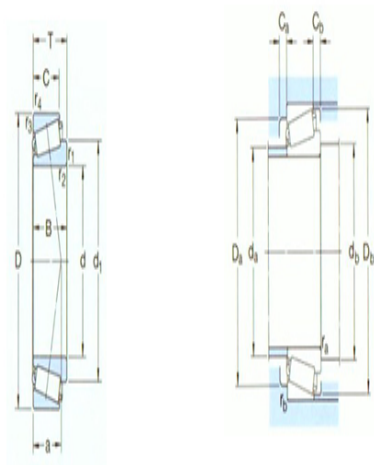
| | |
|----|--------|
| d: | 17.462 |
| D: | 39.878 |
| T: | 13.843 |

The basic rated load is
kN

| | |
|------------------------|------|
| trends C: | 24.5 |
| static state Co: | 20.8 |
| Fatigue load limit Pu: | 2.12 |

Rated rotation speed is
r/min

| | |
|---------------------|----------------|
| Refer to the speed: | 15000 |
| limit speed: | 20000 |
| quality: | 0.081 |
| model: | *LM11749/710/Q |
| series: | LM11700 |



Dimensions are
mm

| | |
|---------------------------|--------|
| d: | 17.462 |
| d ₁ ~ : | 28.9 |
| B: | 14.605 |
| C: | 10.668 |
| r _{1,2} the min: | 1.3 |
| r _{3,4} the min: | 1.3 |
| a: | 9 |

Shoulder gear and chamfer size
mm

| | |
|-------------------------|------|
| d _a the max: | 23 |
| d _b the min: | 23.5 |
| Da the min: | 33.5 |
| Da the max: | 33.5 |
| Db the min: | 36 |
| Ca the min: | 2 |

| | |
|-------------------------|-----|
| Cb the min: | 3 |
| r _a the max: | 1.3 |
| r _b the max: | 1.3 |

Calculation coefficient

| | |
|-----|------|
| e: | 0.28 |
| Y: | 2.1 |
| Yo: | 1.1 |