



Model: LM11749/710/QVC02

7

Basic size of  
mm

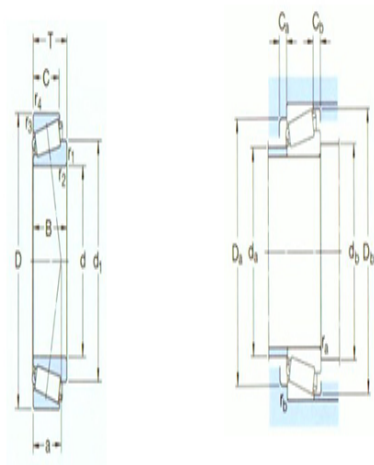
d:	17.462
D:	39.878
T:	13.843

The basic rated load is  
kN

trends C:	24.5
static state Co:	20.8
Fatigue load limit Pu:	2.12

Rated rotation speed is  
r/min

Refer to the speed:	15000
limit speed:	20000
quality:	0.081
model:	*LM11749/710/QVC02 7
series:	LM11700



Dimensions are  
mm

d:	17.462
d <sub>1</sub> ~ :	28.9
B:	14.605
C:	10.668
r <sub>1,2</sub> the min:	1.3
r <sub>3,4</sub> the min:	1.3
a:	9

Shoulder gear and chamfer size  
mm

d <sub>a</sub> the max:	23
d <sub>b</sub> the min:	23.5
Da the min:	33.5

Da the max: 33.5

Db the min: 36

Ca the min: 2

Cb the min: 3

$r_a$  the max: 1.3

$r_b$  the max: 1.3

#### Calculation coefficient

e: 0.28

Y: 2.1

Yo: 1.1