



Model: LM11949/910/Q

Basic size of
mm

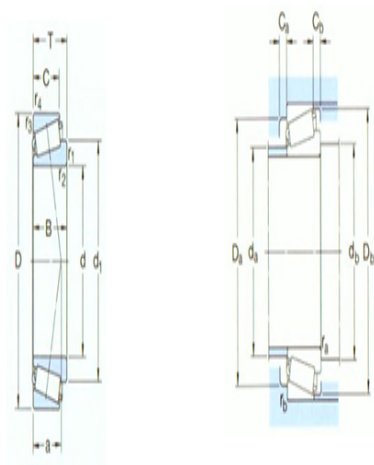
d:	19.05
D:	45.237
T:	15.494

The basic rated load is
kN

trends C:	31.5
static state Co:	27.5
Fatigue load limit Pu:	29

Rated rotation speed is
r/min

Refer to the speed:	13000
limit speed:	18000
quality:	0.12
model:	*LM11949/910/Q
series:	LM11900



Dimensions are
mm

d:	19.05
d ₁ ~ :	31.4
B:	16.637
C:	12.065
r _{1,2} the min:	1.3
r _{3,4} the min:	1.3
a:	10

Shoulder gear and chamfer size
mm

d _a the max:	25
d _b the min:	25
Da the min:	38
Da the max:	38.5
Db the min:	41
Ca the min:	3

Cb the min:	3
r _a the max:	1.3
r _b the max:	1.3

Calculation coefficient

e:	0.3
Y:	2
Yo:	1.1