



Model: M12649/610/Q

Basic size of
mm

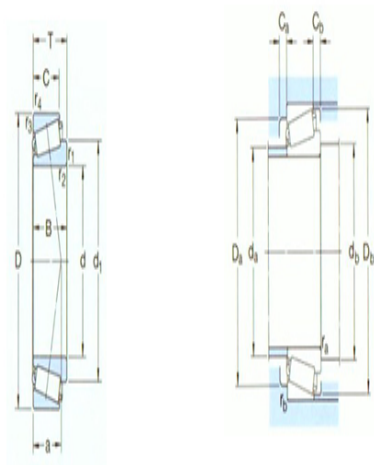
d:	21.43
D:	50.005
T:	17.526

The basic rated load is
kN

trends C:	42.5
static state Co:	38
Fatigue load limit Pu:	4.15

Rated rotation speed is
r/min

Refer to the speed:	12000
limit speed:	16000
quality:	0.17
model:	*M12649/610/Q
series:	M12600



Dimensions are
mm

d:	21.43
d ₁ ~ :	34.3
B:	18.288
C:	13.97
r _{1,2} the min:	1.3
r _{3,4} the min:	1.3
a:	11

Shoulder gear and chamfer size
mm

d _a the max:	28
d _b the min:	27.5
Da the min:	43
Da the max:	43.5
Db the min:	46
Ca the min:	3

Cb the min:	3.5
r _a the max:	1.3
r _b the max:	1.3

Calculation coefficient

e:	0.28
Y:	2.1
Yo:	1.1