



Model: LM29749/711/Q

Basic size of
mm

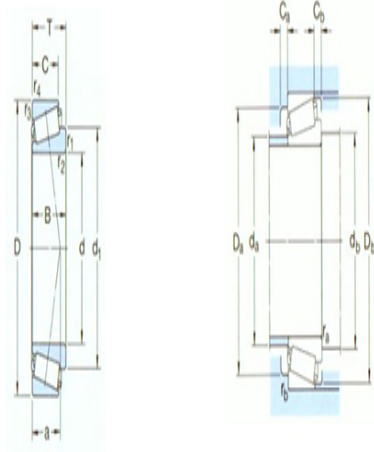
d:	38.1
D:	65.088
T:	19.812

The basic rated load is
kN

trends C:	50
static state Co:	57
Fatigue load limit Pu:	6.1

Rated rotation speed is
r/min

Refer to the speed:	8000
limit speed:	11000
quality:	0.25
model:	*LM29749/711/Q
series:	LM29700



Dimensions are
mm

d:	38.1
d ₁ ~ :	51.8
B:	18.288
C:	15.748
r _{1,2} the min:	2.3
r _{3,4} the min:	1.3
a:	15

Shoulder gear and chamfer size
mm

d _a the max:	44
d _b the min:	47
Da the min:	57
Da the max:	58.5
Db the min:	61
Ca the min:	2

Cb the min:	4
r _a the max:	2
r _b the max:	1.3

Calculation coefficient

e:	0.33
Y:	1.8
Yo:	1