



## Model: 16150/16284/Q

Basic size of  
mm

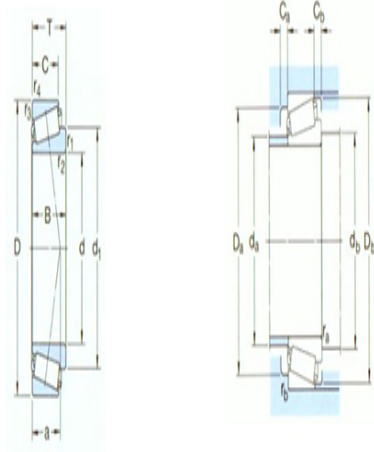
d:	38.1
D:	72.238
T:	20.638

The basic rated load is  
kN

trends C:	56
static state Co:	60
Fatigue load limit Pu:	6.55

Rated rotation speed is  
r/min

Refer to the speed:	8000
limit speed:	10000
quality:	0.39
model:	*16150/16284/Q
series:	16000



Dimensions are  
mm

d:	38.1
d <sub>1</sub> ~ :	53.8
B:	20.638
C:	15.875
r <sub>1,2</sub> the min:	3.5
r <sub>3,4</sub> the min:	1.3
a:	19

Shoulder gear and chamfer size  
mm

d <sub>a</sub> the max:	45
d <sub>b</sub> the min:	49.5
Da the min:	58
Da the max:	65
Db the min:	66
Ca the min:	3

Cb the min:	4.5
r <sub>a</sub> the max:	3
r <sub>b</sub> the max:	1.3

Calculation coefficient

e:	0.4
Y:	1.5
Yo:	0.8