



Model: 3490/3420/QCL7CVQ49

2

Basic size of
mm

d:	38.1
D:	79.375
T:	29.37

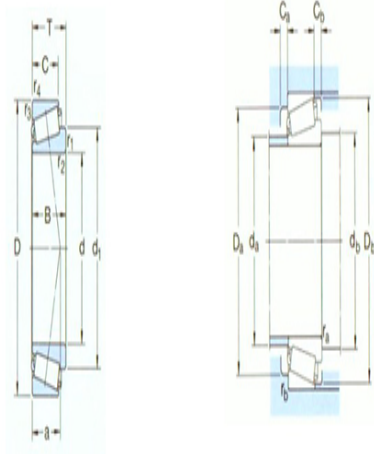
The basic rated load is
kN

trends C:	104
static state Co:	110

Fatigue load limit	12.5
Pu:	

Rated rotation speed is
r/min

Refer to the speed:	7000
limit speed:	9500
quality:	0.67
model:	*3490/3420/QCL7CVQ49 2
series:	3400



Dimensions are
mm

d:	38.1
d ₁ ~ :	57.3
B:	29.771
C:	23.812
r _{1,2} the min:	3.5
r _{3,4} the min:	3.3
a:	20

Shoulder gear and chamfer size
mm

d _a the max:	46
d _b the min:	49.5
Da the min:	65
Da the max:	68

Db the min:	73
Ca the min:	4
Cb the min:	5.5
r _a the max:	3
r _b the max:	3

Calculation coefficient

e:	0.37
Y:	1.6
Yo:	0.9