



Model: HM801346X/2/310/QVQ5

23

Basic size of
mm

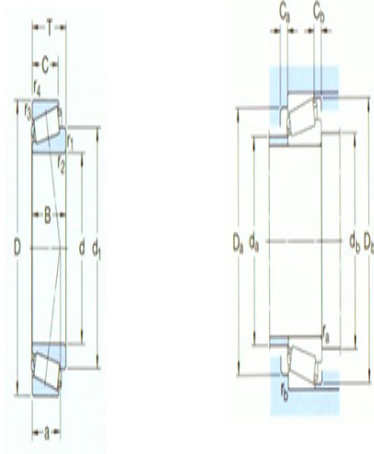
d:	38.1
D:	82.55
T:	29.37

The basic rated load is
kN

trends C:	100
static state Co:	118
Fatigue load limit	13.4
Pu:	

Rated rotation speed is
r/min

Refer to the speed:	6700
limit speed:	8500
quality:	0.77
model:	*HM801346X/2/310/QVQ5 23
series:	HM801300



Dimensions are
mm

d:	38.1
d ₁ ~ :	64.1
B:	28.575
C:	23.02
r _{1,2} the min:	2.3
r _{3,4} the min:	3.3
a:	24

Shoulder gear and chamfer size
mm

d _a the max:	49
d _b the min:	47
Da the min:	64
Da the max:	71

Db the min: 78

Ca the min: 4

Cb the min: 6

r_a the max: 2

r_b the max: 3

Calculation coefficient

e: 0.54

Y: 1.1

Yo: 0.6