



## Model: 594/592A/Q

Basic size of  
mm

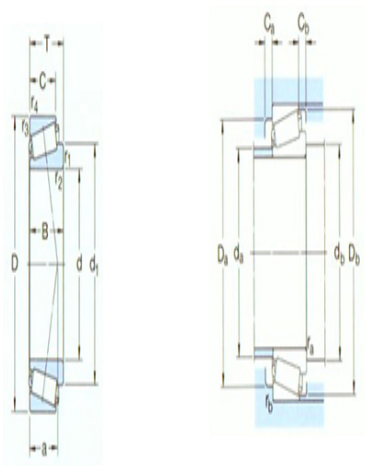
d:	95.25
D:	152.4
T:	39.688

The basic rated load is  
kN

trends C:	194
static state Co:	305
Fatigue load limit Pu:	34.5

Rated rotation speed is  
r/min

Refer to the speed:	3000
limit speed:	4500
quality:	2.55
model:	594/592A/ Q
series:	595



Dimensions are  
mm

d:	95.25
d <sub>1</sub> ~ :	121
B:	36.322
C:	30.162
r <sub>1,2</sub> the min:	3.5
r <sub>3,4</sub> the min:	3.3
a:	37

Shoulder gear and chamfer size  
mm

d <sub>a</sub> the max:	104
d <sub>b</sub> the min:	107
Da the min:	128
Da the max:	139
Db the min:	141
Ca the min:	4
Cb the min:	9.5

$r_a$ the max:	3
$r_b$ the max:	3

Calculation coefficient

e:	0.44
Y:	1.35
Yo:	0.8