



## Model: 683/672

Basic size of  
mm

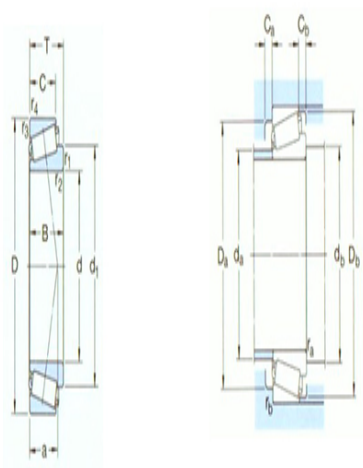
d:	95.25
D:	168.275
T:	41.275

The basic rated load is  
kN

trends C:	233
static state Co:	365
Fatigue load limit Pu:	39

Rated rotation speed is  
r/min

Refer to the speed:	2800
limit speed:	4000
quality:	3.8
model:	683/672
series:	675



Dimensions are  
mm

d:	95.25
d <sub>1</sub> ~ :	133
B:	41.275
C:	30.162
r <sub>1,2</sub> the min:	3.5
r <sub>3,4</sub> the min:	3.3
a:	38

Shoulder gear and chamfer size  
mm

d <sub>a</sub> the max:	114
d <sub>b</sub> the min:	107
Da the min:	143
Da the max:	154.5
Db the min:	157
Ca the min:	6
Cb the min:	11

$r_a$ the max:	3
$r_b$ the max:	3

Calculation coefficient

e:	0.48
Y:	1.25
Yo:	0.7