



## Model: 68450/68712

Basic size of  
mm

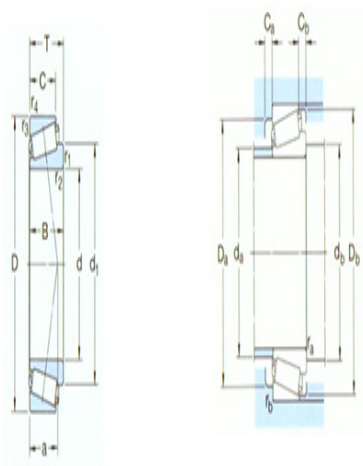
d:	114.3
D:	180.975
T:	34.925

The basic rated load is  
kN

trends C:	183
static state Co:	280
Fatigue load limit Pu:	30

Rated rotation speed is  
r/min

Refer to the speed:	2600
limit speed:	3800
quality:	2.95
model:	68450/68712
series:	68000



Dimensions are  
mm

d:	114.3
d <sub>1</sub> ~ :	144
B:	31.75
C:	25.4
r <sub>1,2</sub> the min:	3.5
r <sub>3,4</sub> the min:	3.3
a:	40

Shoulder gear and chamfer size  
mm

d <sub>a</sub> the max:	129
d <sub>b</sub> the min:	127
Da the min:	158
Da the max:	170
Db the min:	170
Ca the min:	4
Cb the min:	9.5

$r_a$ the max:	3
$r_b$ the max:	3

Calculation coefficient

e:	0.5
Y:	1.2
Yo:	0.7