



Model: 48290/48220/Q

Basic size of
mm

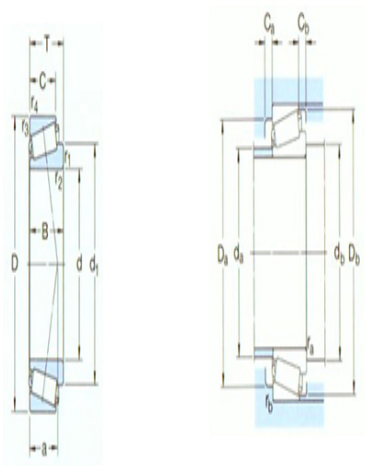
d:	127
D:	182.562
T:	39.688

The basic rated load is
kN

trends C:	229
static state Co:	440
Fatigue load limit Pu:	44

Rated rotation speed is
r/min

Refer to the speed:	2400
limit speed:	3600
quality:	3.3
model:	48290/48220/Q
series:	48200



Dimensions are
mm

d:	127
d ₁ ~ :	155
B:	38.1
C:	33.338
r _{1,2} the min:	3.5
r _{3,4} the min:	3.3
a:	34

Shoulder gear and chamfer size
mm

d _a the max:	140
d _b the min:	140
Da the min:	165
Da the max:	168.5
Db the min:	174
Ca the min:	6

Cb the min:	6
r _a the max:	3
r _b the max:	3

Calculation coefficient

e:	0.3
Y:	2
Yo:	1.1